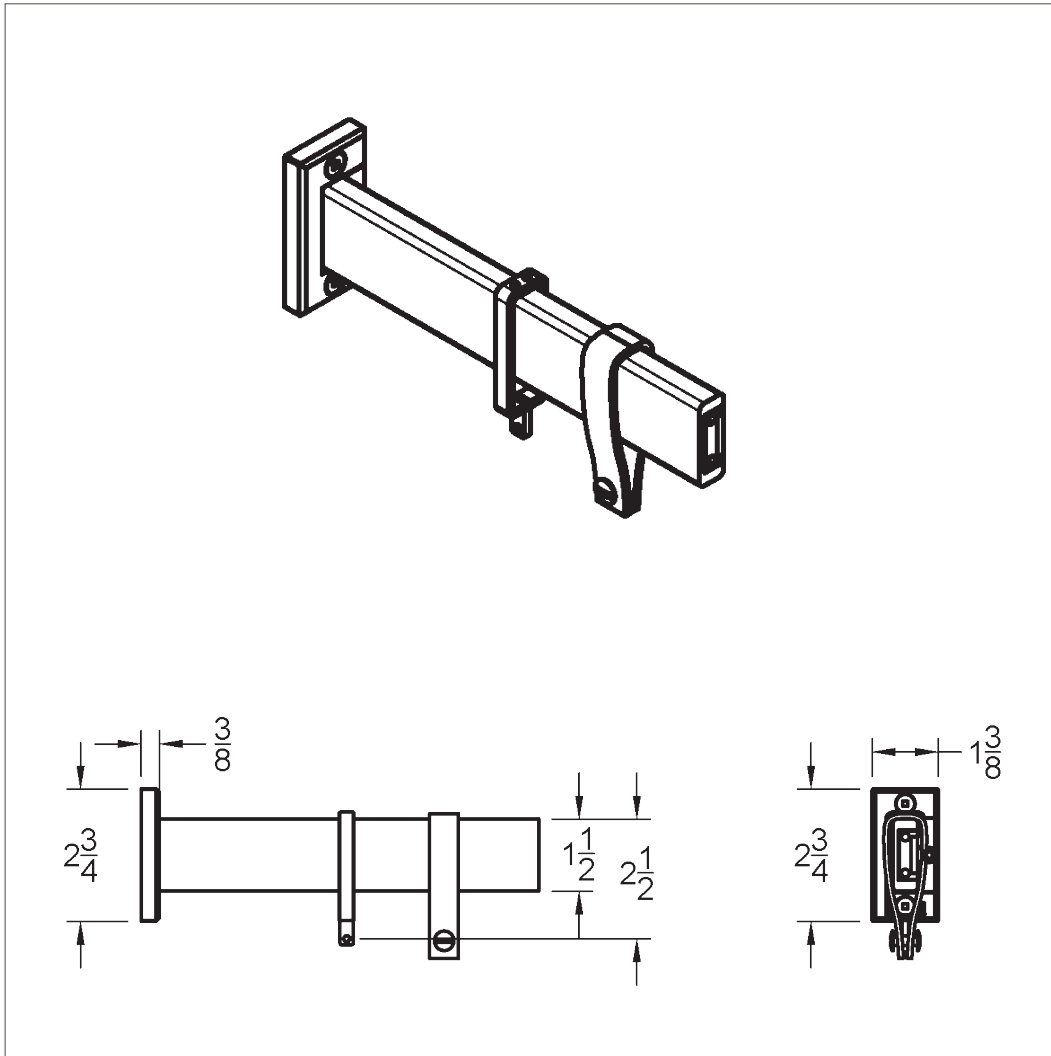




Flat Iron Collection

Inside Mount



Dimensions: 2.75"L x 0.375"W x 1.375D

*Compatible with any of the four standard backplate options:

- Horizontal
- Vertical
- Mini Horizontal
- Mini Vertical

*drawing shown with vertical backplate

- Includes mounting hardware for both hollow wall (sheetrock) and stud installations, for concrete please inquire.
- Hidden 1/4" adjustment glide allows for minor installation adjustments.
- Custom projections and double rod installs available.

Make the Flat Iron Hardware your own!

- Crafted to project specifications
- Handcrafted of Solid Steel
- Wood and Leather options available
- Signature Plated Finishes
- Motorization option available
- Outdoor Option Available - please inquire